



Parts List

EF2A-FS

TABLE OF CONTENTS

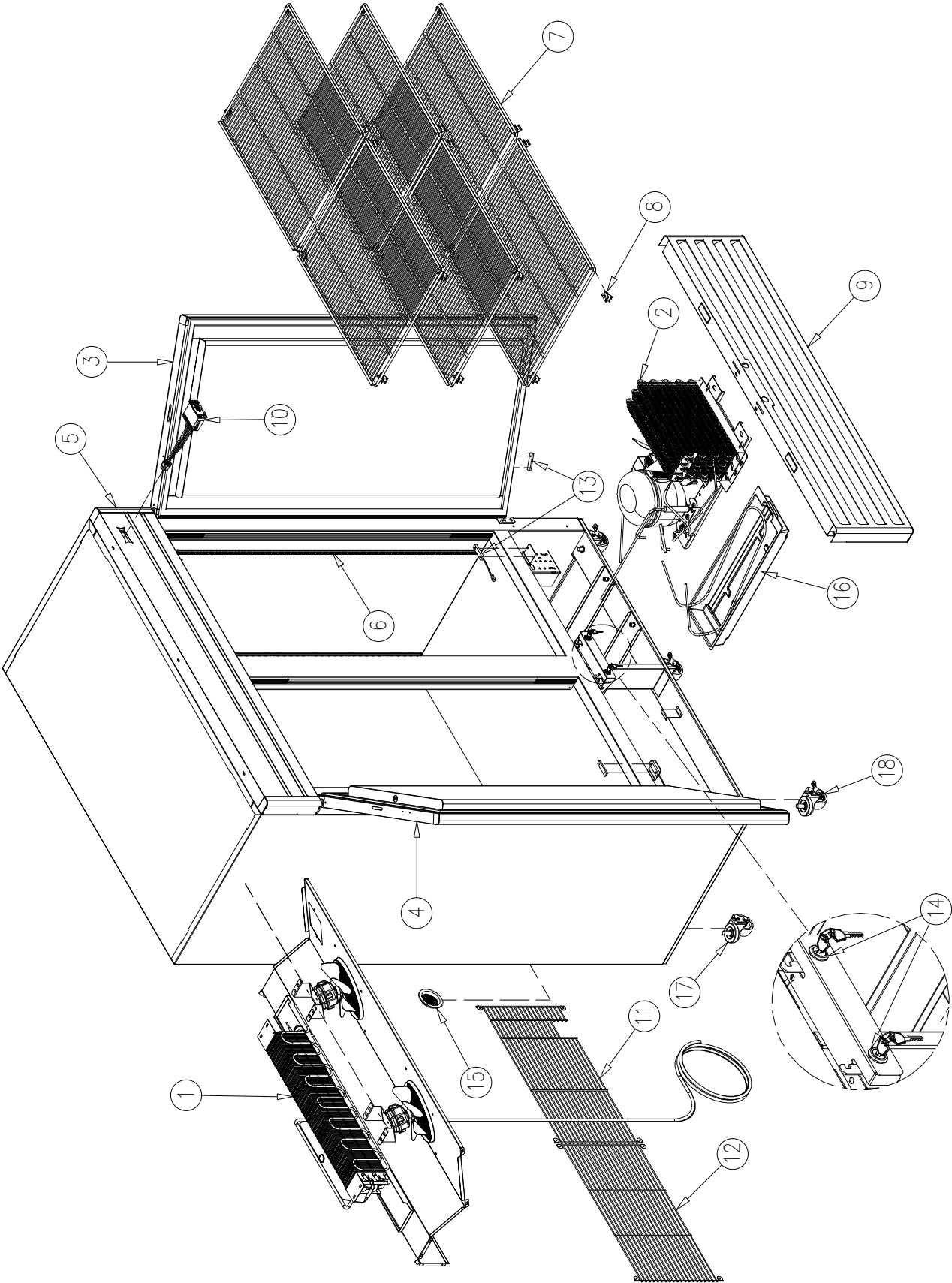
MAIN ASSEMBLY	3
EVAPORATOR ASSEMBLY	5
CONDENSING UNIT ASSEMBLY	7
DOOR ASSEMBLY	9
LIGHTING SYSTEM	11

NOTE:

To order spare parts, always include the following information:

- *Model Number* _____
- *Serial Number* _____

MAIN ASSEMBLY

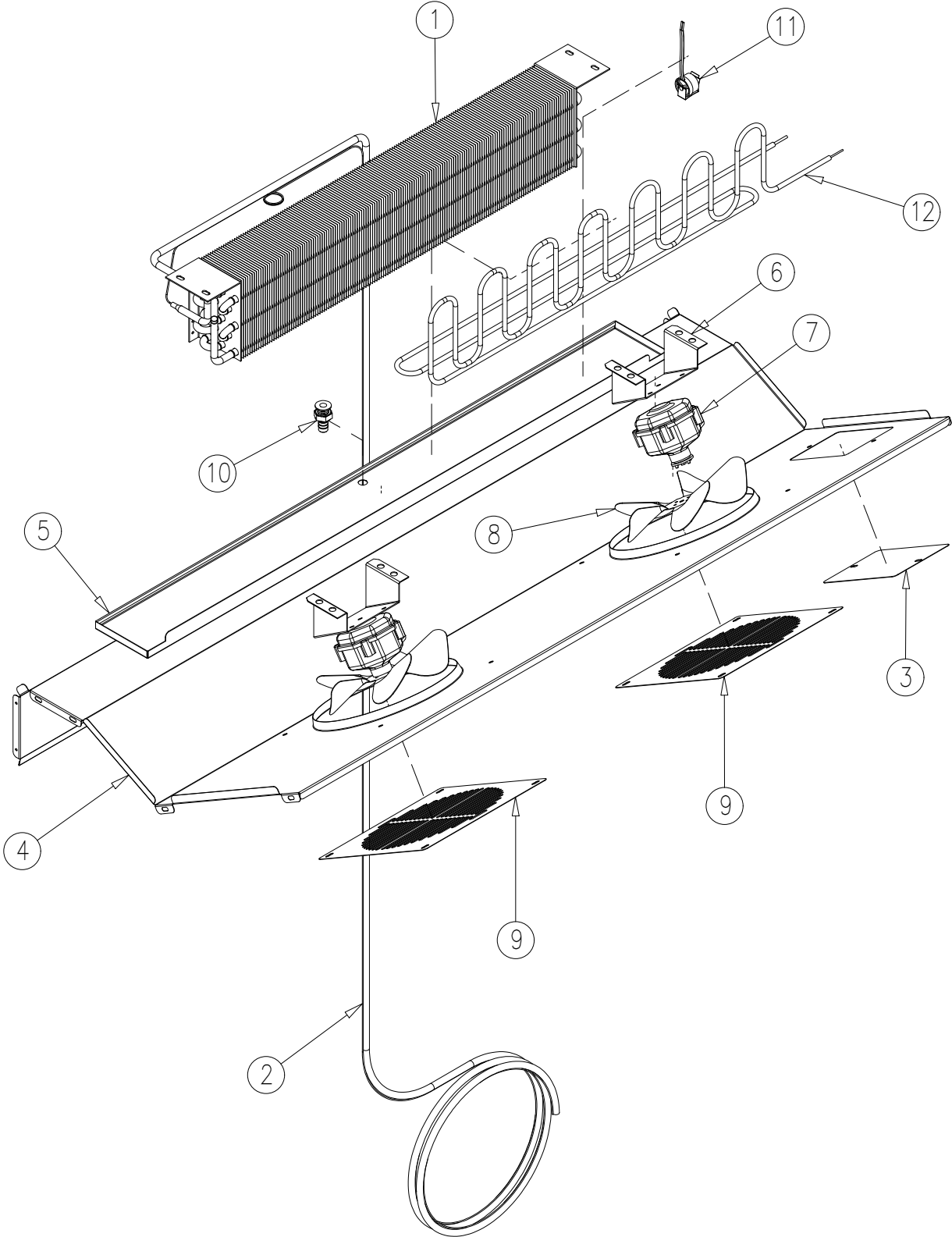


EF2A-FS

MAIN ASSEMBLY

<i>Item No.</i>	<i>Description</i>	<i>Part No.</i>	<i>Quantity per cooler</i>
1	EVAPORATOR ASSEMBLY	OT-EV-0215	1
2	CONDENSING UNIT ASSEMBLY	OT-UN-0091	1
3	RIGHT DOOR ASSEMBLY	OT-PTA-0249-R	1
4	LEFT DOOR ASSEMBLY	OT-PTA-0249-L	1
5	HEADER SIGN	OT-ROTULO-0228	1
6	PILASTER 48"	PI-5	8
7	FLAT SHELF	SH-0445-HD-GR	6
8	SHELF CLIPS	CL-51-SS-E	24
9	FRONT GRILL	OT-CUBREMOTOR-0295	1
10	ELECTRONIC THERMOSTAT XR07CH	CT-69-DI-142	1
11	RIGHT BACK GRILL	SH-0562-G-GR	1
12	LEFT BACK GRILL	SH-0563-G-GR	1
13	MAGNETIC SWITCH	EL-306	2
14	KEY SET	HA-471-G	2
15	DECOMPRESSION VALVE	VA-107-V12	1
16	WATER PAN	OT-TF-0383	1
17	BACK SWIVEL BOLT HEAD CASTER	CA-4	3
18	FRONT SWIVEL BOLT HEAD CASTER WITH WHEEL BRAKE	CA-4-BR	3

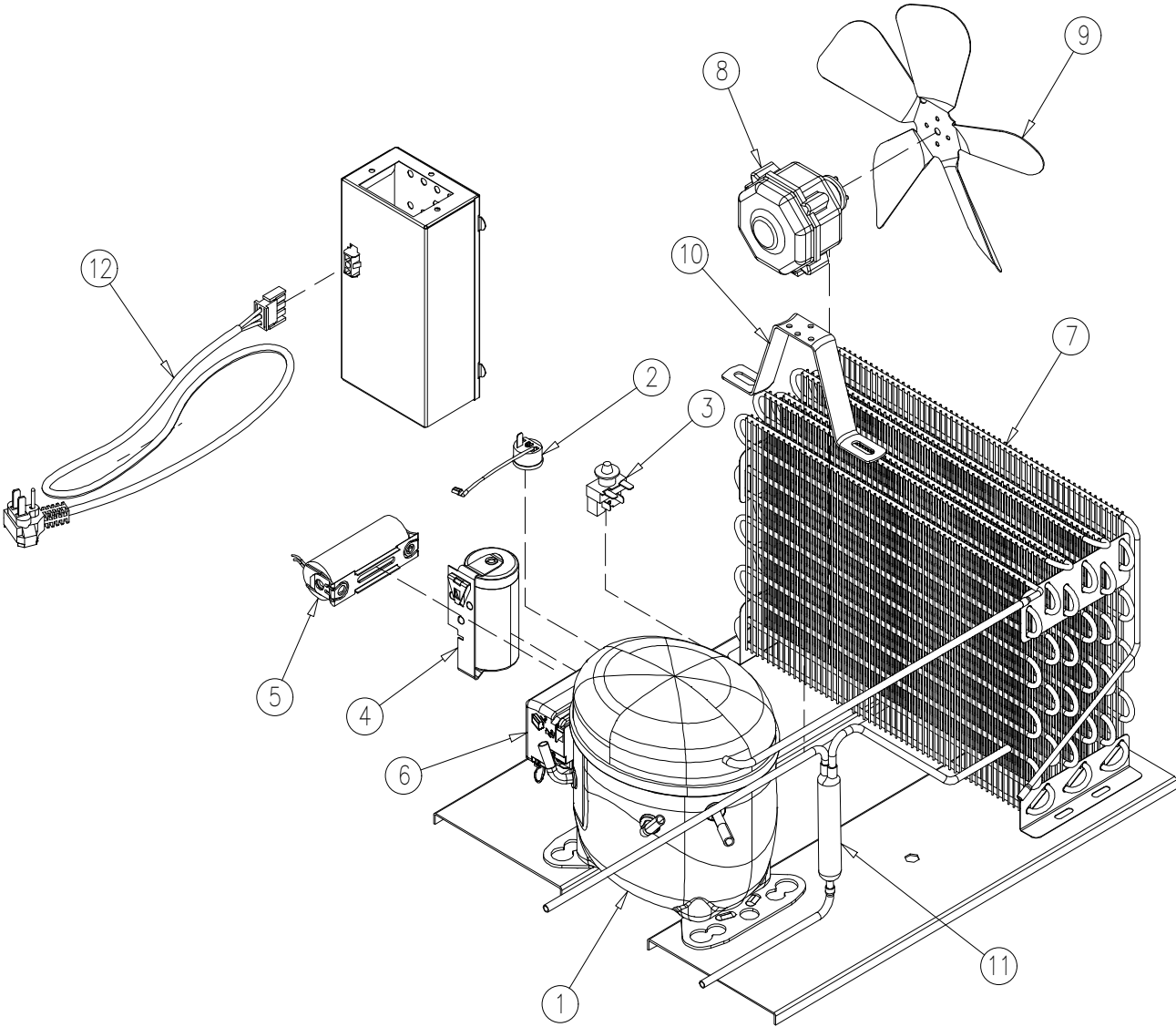
EVAPORATOR ASSEMBLY



EVAPORATOR ASSEMBLY

<i>Item No.</i>	<i>Description</i>	<i>Part No.</i>	<i>Quantity per cooler</i>
1	EVAPORATOR	CO-469	1
2	HEAT EXCHANGER	TUB-1152	1
3	BAFFLE COVER	OT-9059	1
4	BAFFLE	OT-21710	1
5	EVAPORATOR DRAIN PAN	OT-22632	1
6	EVAPORATOR FAN MOTOR BRACKET	OT-21719	2
7	EVAPORATOR FAN MOTOR	FA-41	2
8	EVAPORATOR FAN BLADE	FA-2-EBM	2
9	FAN GUARD	OT-2395	2
10	PLASTIC DRAIN	DR-4-P	1
11	THERMODISK	OT-CT-11-R-EM	1
12	DEFROST ROD HEATER	EL-240-R290	1

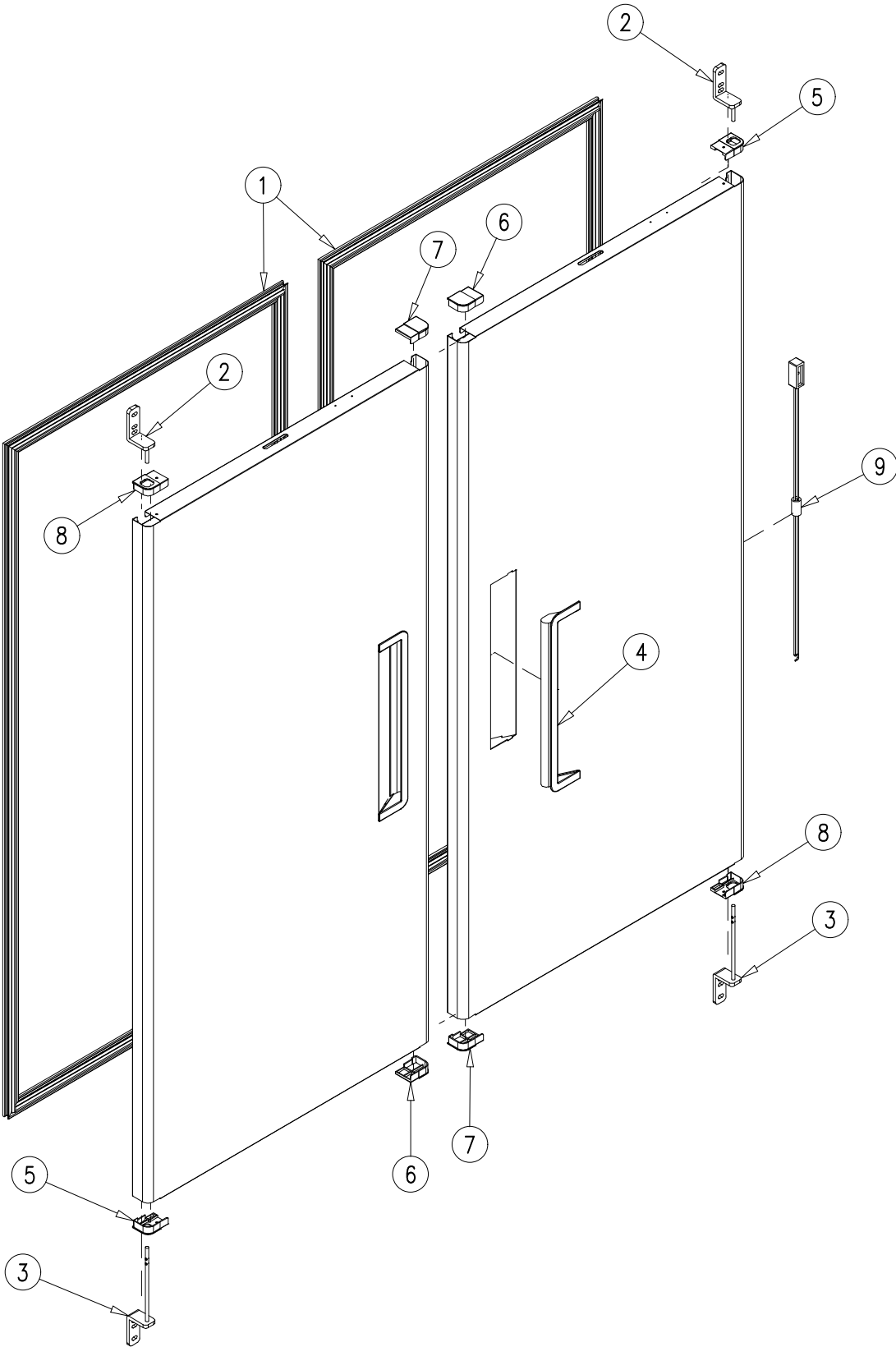
CONDENSING UNIT ASSEMBLY



CONDENSING UNIT ASSEMBLY

<i>Item No.</i>	<i>Description</i>	<i>Part No.</i>	<i>Quantity per cooler</i>
1	1/2HP 115-127V/60HZ R-290 COMPRESSOR	NPT16LR	1
2	T0534 EXTERNAL PROTECTOR	EL-2142-R	1
3	2014 191 RELAY	EL-2141-R	1
4	200 μ F 160V START CAPACITOR	CAP-200-160	1
5	30 μ F 250V RUN CAPACITOR	CAP-30-250	1
6	ELECTRICAL BOX	EL-2117-R	1
7	CONDENSER	CO-454	1
8	CONDENSER FAN MOTOR	FA-41	1
9	CONDENSER FAN BLADE	FA-11-WE	1
10	CONDENSER FAN MOTOR BRACKET	FA-18	1
11	DRIER	DR-29-P	1
12	POWER CORD	EL-1265-9	1

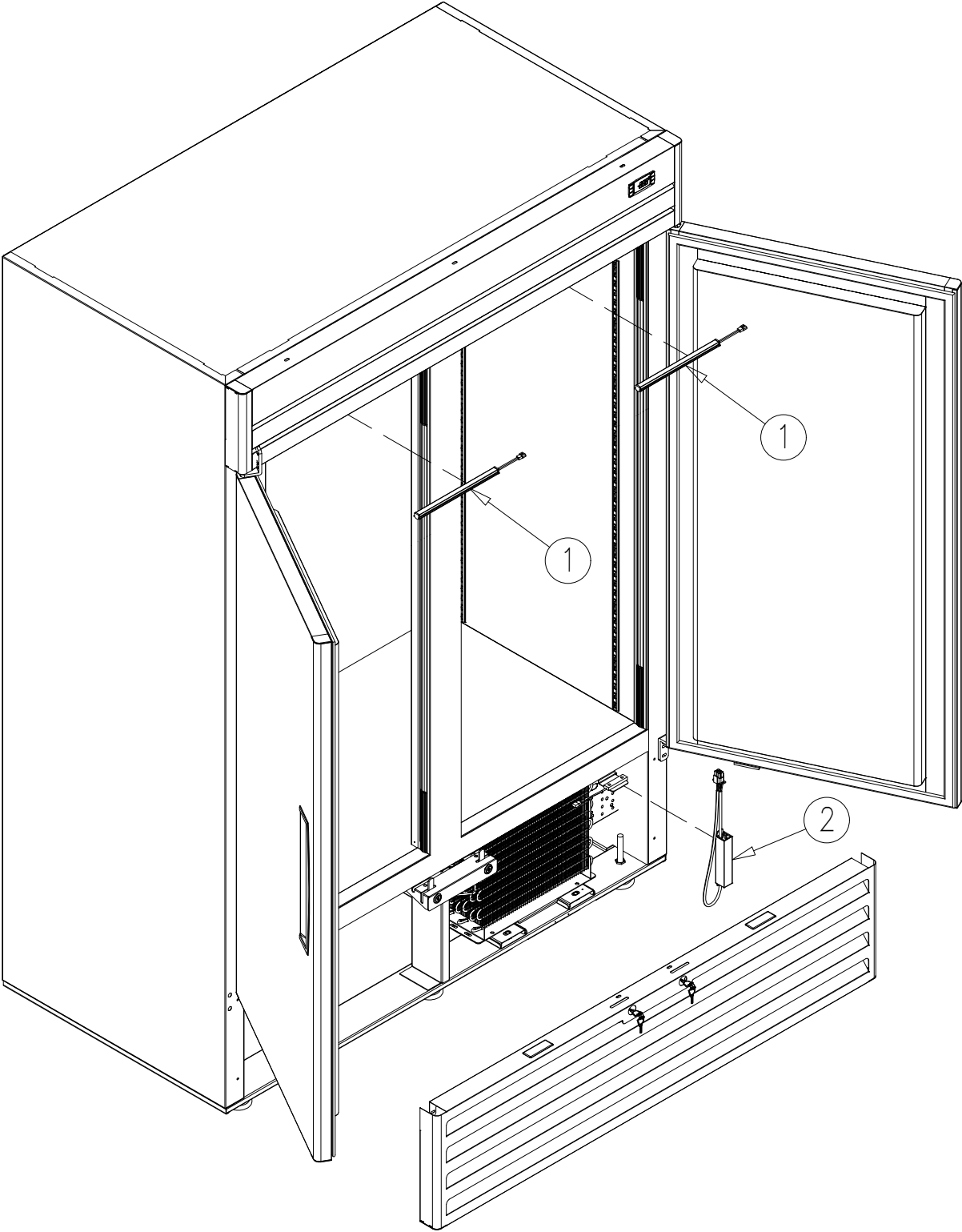
DOOR ASSEMBLY



DOOR ASSEMBLY

<i>Item No.</i>	<i>Description</i>	<i>Part No.</i>	<i>Quantity per cooler</i>
1	MAGNETIC GASKET	OT-GA-400-PTA-0249	2
2	UPPER HINGE ASSEMBLY	HA-535-R	2
3	LOWER HINGE ASSEMBLY	HA-522-R	2
4	DOOR HANDLE	HA-836	2
5	DOOR CAP	ESQ-037-A-GR	2
6	DOOR CAP	ESQ-038-A-GR	2
7	DOOR CAP	ESQ-037-B-GR	2
8	DOOR CAP	ESQ-038-B-GR	2
9	TORSION MECHANISM	HA-479	2

LIGHTING SYSTEM



LIGHTING SYSTEM

<i>Item No.</i>	<i>Description</i>	<i>Part No.</i>	<i>Quantity per cooler</i>
1	9 3/4" LED LAMP STRIP	EL-145	2
2	1.25 Amp. LED DRIVER	OT-EL-151-T	1

