



# Parts List

ER1A-FS

# TABLE OF CONTENTS

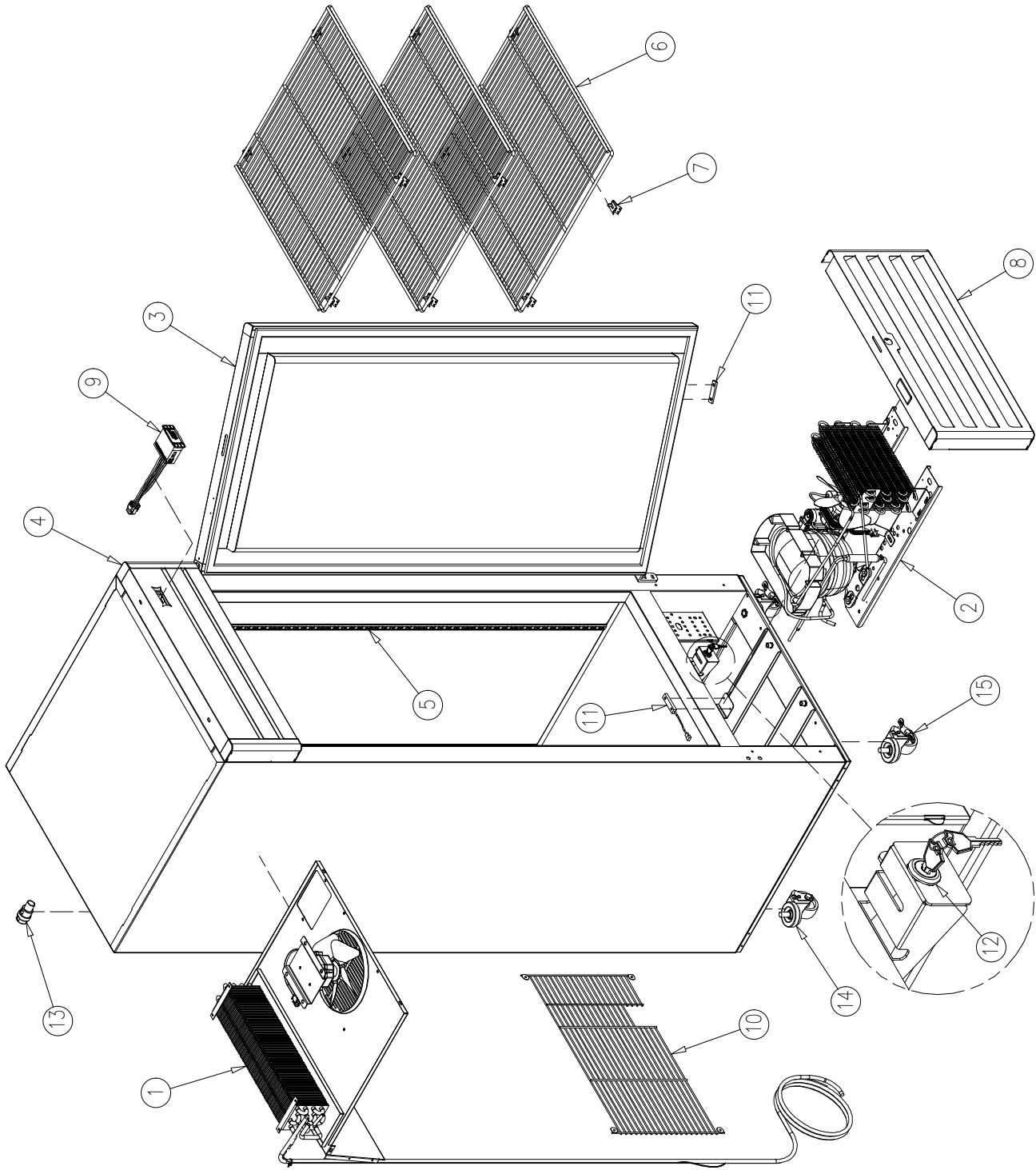
MAIN ASSEMBLY .....	3
EVAPORATOR ASSEMBLY .....	5
CONDENSING UNIT ASSEMBLY .....	7
DOOR ASSEMBLY .....	9
LIGHTING SYSTEM .....	11

**NOTE:**

*To order spare parts, always include the following information:*

- *Model Number* \_\_\_\_\_
- *Serial Number* \_\_\_\_\_

# MAIN ASSEMBLY

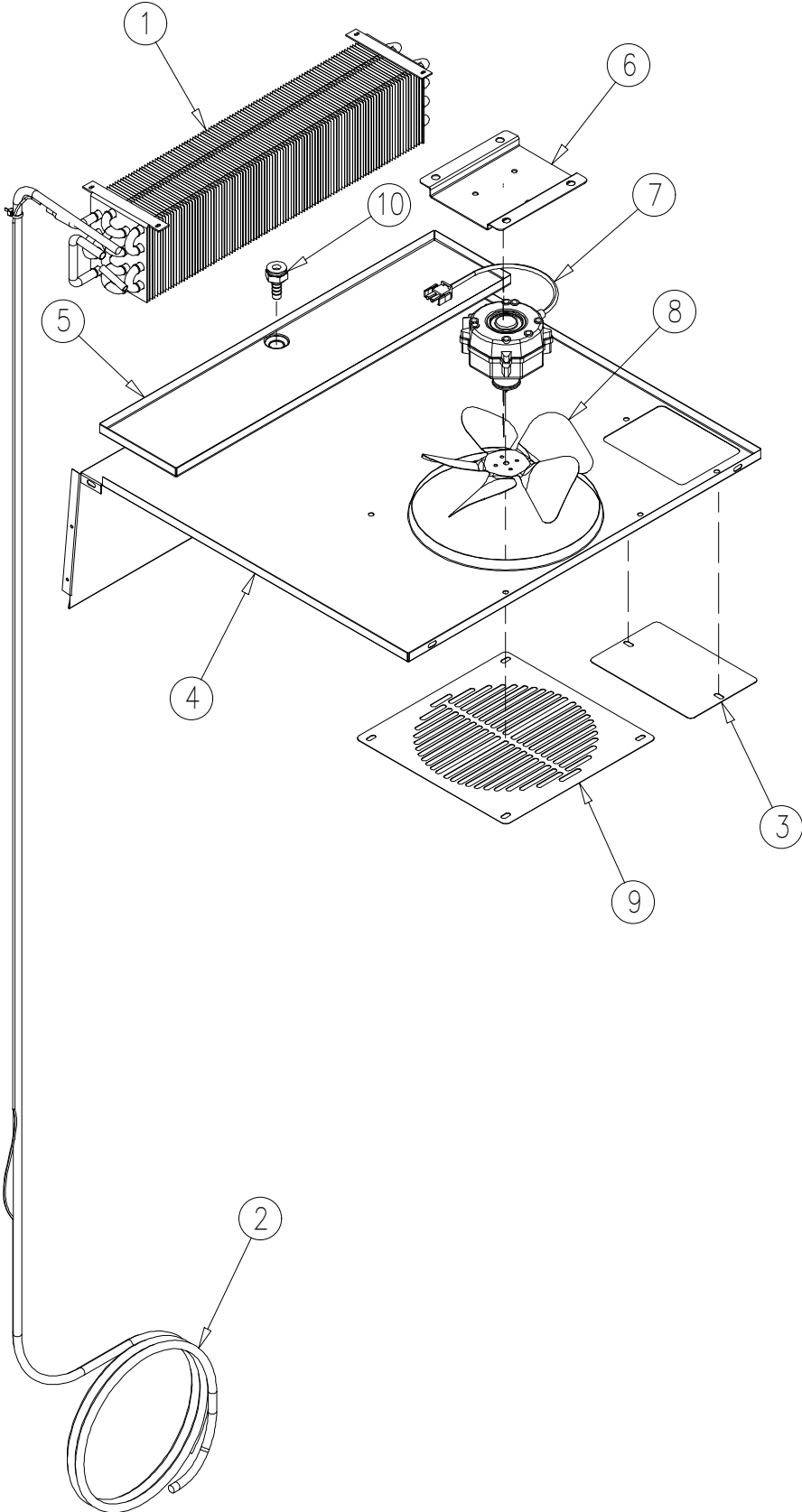


# MAIN ASSEMBLY

---

<i>Item No.</i>	<i>Description</i>	<i>Part No.</i>	<i>Quantity per cooler</i>
1	EVAPORATOR ASSEMBLY	OT-EV-0200	1
2	CONDENSING UNIT ASSEMBLY	OT-UN-0081	1
3	RIGHT DOOR ASSEMBLY	OT-PTA-0241-R	1
4	HEADER SIGN	OT-ROTULO-0217	1
5	PILASTER 48"	PI-5	4
6	FLAT SHELF	SH-0427-HD-FE-GR	3
7	SHELF CLIPS	CL-51-SS-E	12
8	FRONT GRILL	OT-CUBREMOTOR-0285	1
9	ELECTRONIC THERMOSTAT XR07CH	CT-69-DI-141	1
10	BACK GRILL	SH-0561-G-GR	1
11	MAGNETIC SWITCH	EL-306	1
12	KEY SET	HA-471-G	1
13	DECOMPRESSION VALVE	VA-103	1
14	BACK SWIVEL BOLT HEAD CASTER	CA-4	2
15	FRONT SWIVEL BOLT HEAD CASTER WITH WHEEL BRAKE	CA-4-BR	2

# EVAPORATOR ASSEMBLY

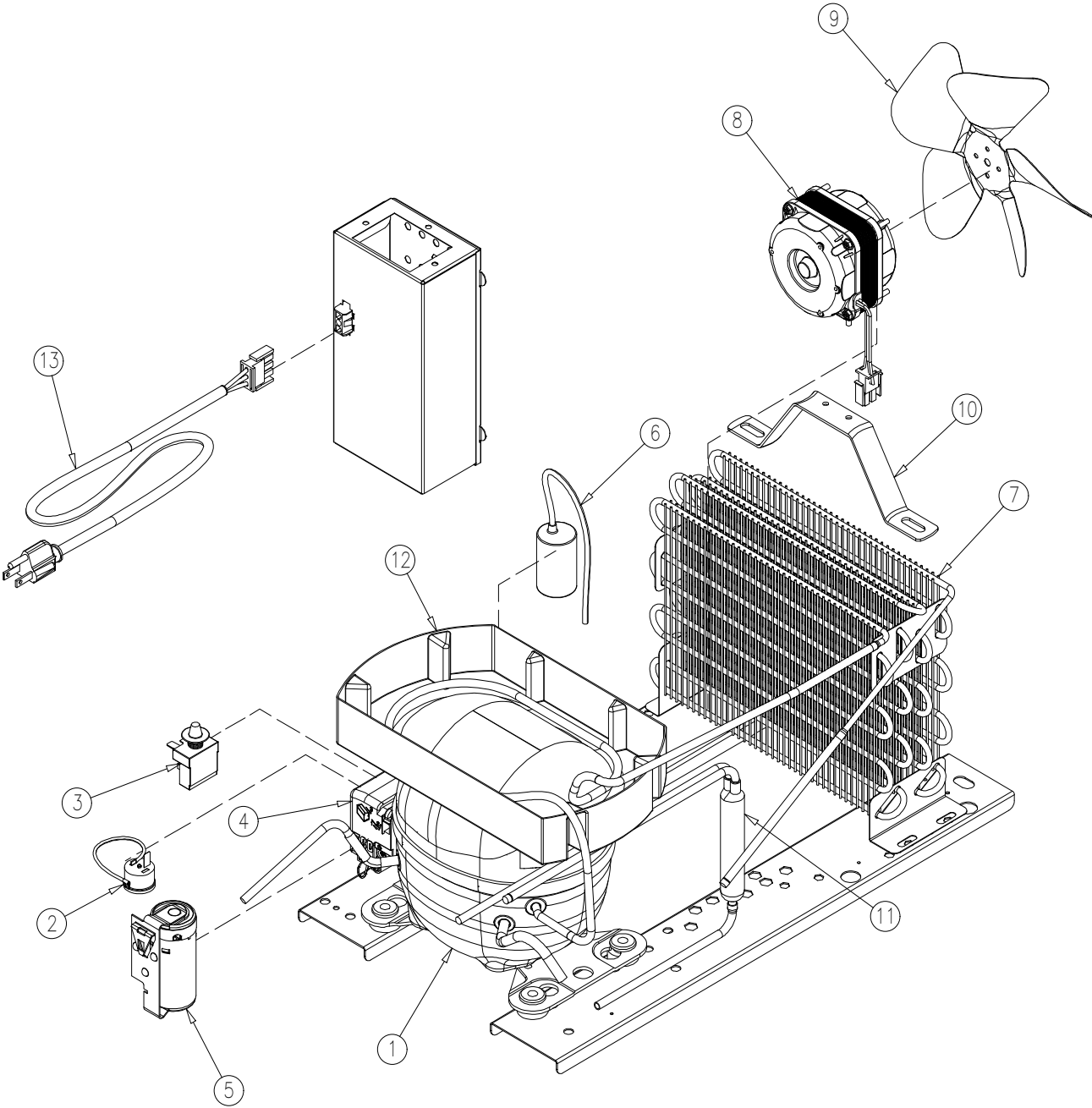


# EVAPORATOR ASSEMBLY

---

<i>Item No.</i>	<i>Description</i>	<i>Part No.</i>	<i>Quantity per cooler</i>
1	EVAPORATOR	CO-312	1
2	HEAT EXCHANGER	TUB-0554	1
3	BAFFLE COVER	OT-10442	1
4	BAFFLE	OT-16253	1
5	EVAPORATOR DRAIN PAN	OT-16248	1
6	EVAPORATOR FAN MOTOR BRACKET	OT-16776	1
7	EVAPORATOR FAN MOTOR	FA-1-EBM	1
8	EVAPORATOR FAN BLADE	FA-2-EBM	1
9	FAN GUARD	OT-2395	1
10	PLASTIC DRAIN	DR-1-P	1

# CONDENSING UNIT ASSEMBLY



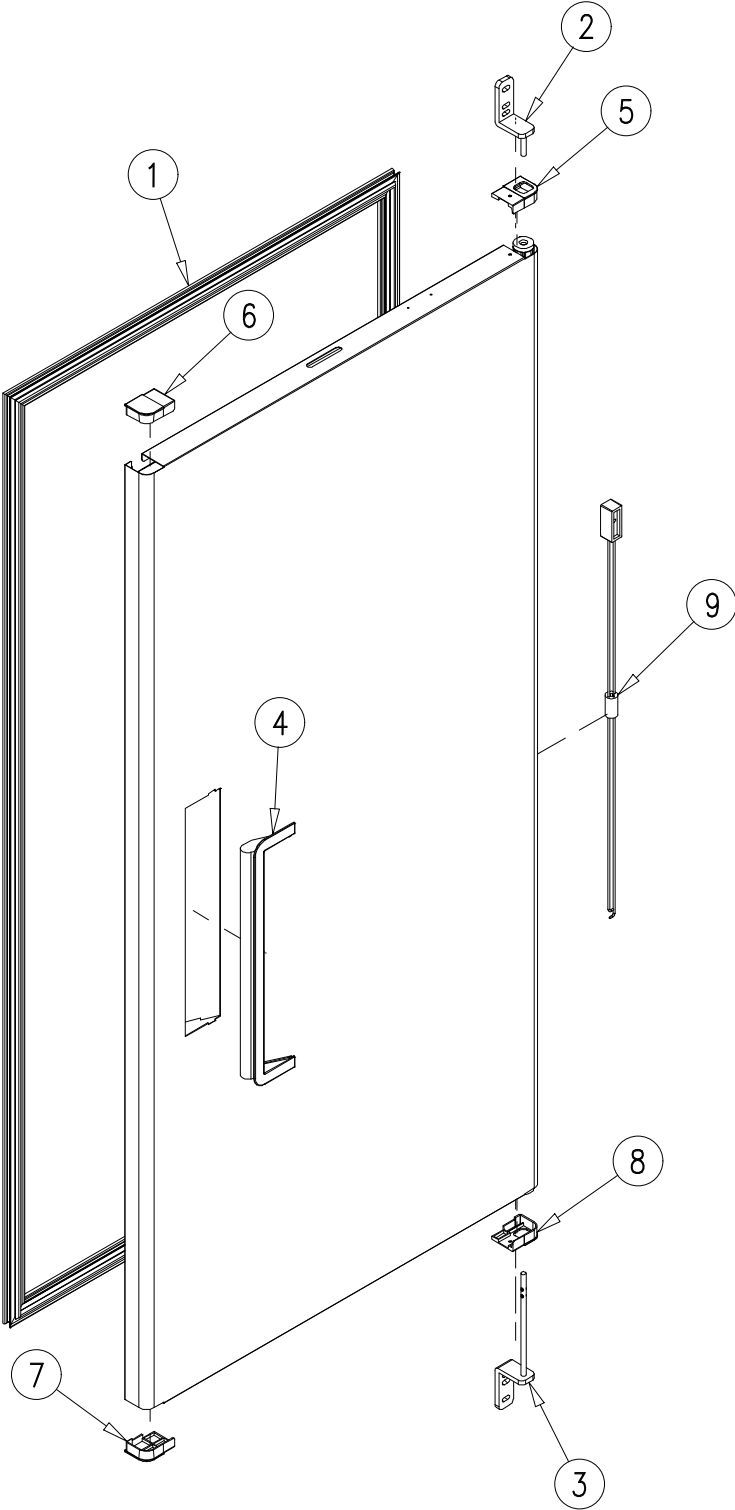
# CONDENSING UNIT ASSEMBLY

---

<i>Item No.</i>	<i>Description</i>	<i>Part No.</i>	<i>Quantity per cooler</i>
1	1/4HP 115-127V/60HZ R-290 COMPRESSOR	NUT55LRB	1
2	T1086 EXTERNAL PROTECTOR	EL-2138	1
3	2014 149 RELAY	EL-2139	1
4	ELECTRICAL BOX	EL-2140	1
5	250 $\mu$ F 160V START CAPACITOR	CAP-250-160	1
6	15 $\mu$ F 250V RUN CAPACITOR	CAP-15-250	1
7	CONDENSER	CO-452	1
8	CONDENSER FAN MOTOR	FA-1-EBM	1
9	CONDENSER FAN BLADE	FA-2-EBM	1
10	CONDENSER FAN MOTOR BRACKET	FA-39	1
11	DRIER	DR-31-P	1
12	COMPRESSOR EVAPORATION TRAY	DP-7	1
13	POWER CORD	EL-1265-9	1



# DOOR ASSEMBLY

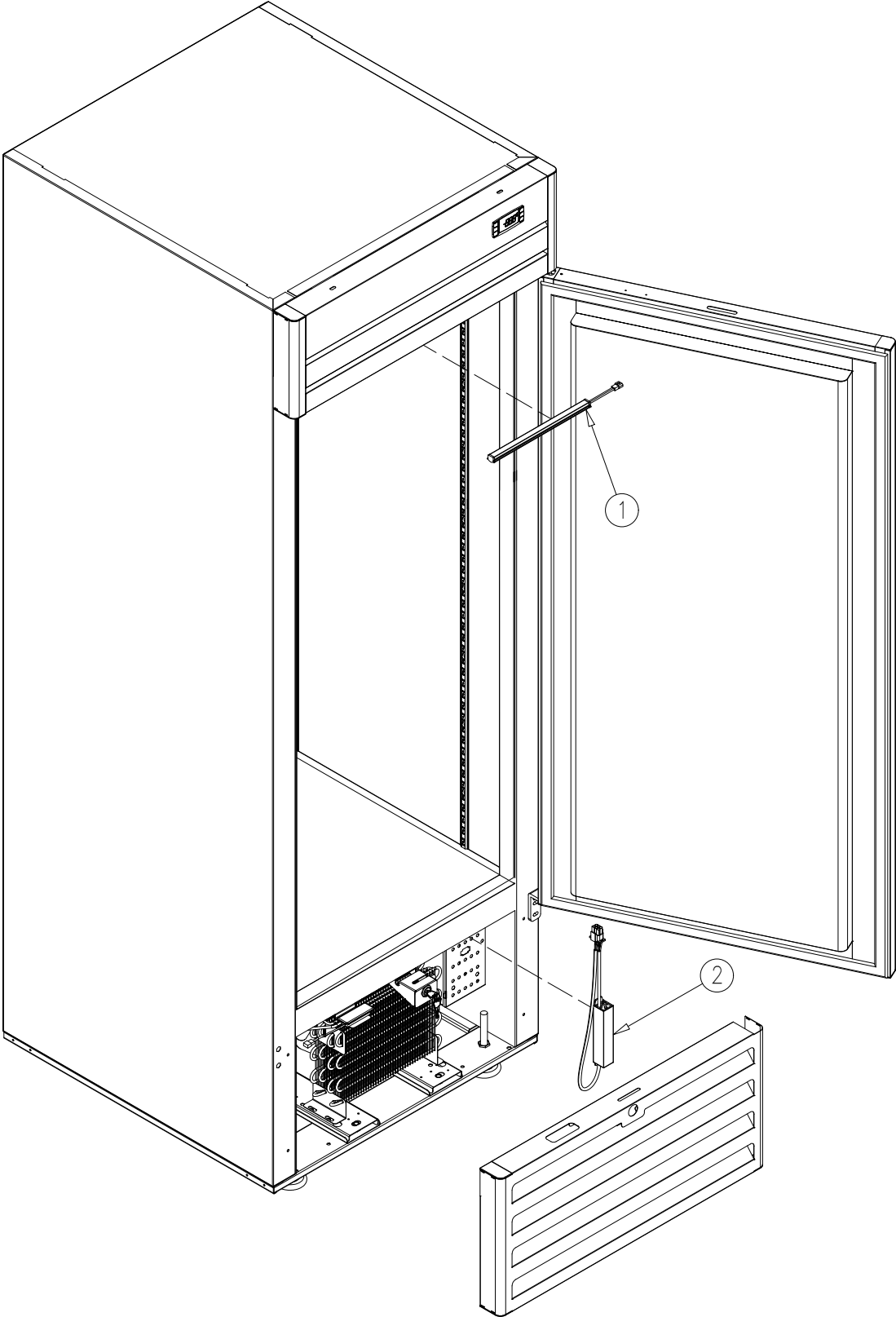


# DOOR ASSEMBLY

---

<i>Item No.</i>	<i>Description</i>	<i>Part No.</i>	<i>Quantity per cooler</i>
1	MAGNETIC GASKET	OT-GA-400-PTA-0241	1
2	UPPER HINGE ASSEMBLY	HA-535-R	1
3	LOWER HINGE ASSEMBLY	HA-522-R	1
4	DOOR HANDLE	HA-836	1
5	DOOR CAP	ESQ-037-A-GR	1
6	DOOR CAP	ESQ-038-A-GR	1
7	DOOR CAP	ESQ-037-B-GR	1
8	DOOR CAP	ESQ-038-B-GR	1
9	TORSION MECHANISM	HA-479	1

# LIGHTING SYSTEM



# LIGHTING SYSTEM

---

<i>Item No.</i>	<i>Description</i>	<i>Part No.</i>	<i>Quantity per cooler</i>
1	9 3/4" LED LAMP STRIP	EL-145	1
2	1.25 Amp. LED DRIVER	OT-EL-151-T	1

