

FR Series Inline Exhaust Fans

Fantech's versatile FR Series Inline Fans provide the ideal answer for a variety of air movement problems in residential and commercial applications. The fans feature a plastic housing constructed of UL-recognized, UV protected thermoplastic resin. This tough protective shell allows the fan to be mounted in outdoor and wet locations*. FR fans feature external rotor motors that have proven dependable year after year. Fan is fully caulked to prevent moisture from entering the housing.

Applications

FR fans can be used for multiple point exhaust applications, crawl space venting or make-up air supply. They are also widely used as booster fans to move air from one room or area to another. These fans are not designed for nor should be used for radon applications.

Air-tight seam

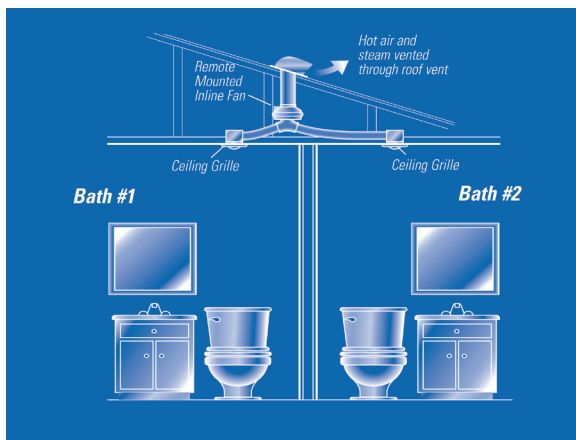
The FR series inline fans are joined via a vibration welding process. This welding process results in a fused, single-piece housing. The fused seam is inherently air tight, very strong and permanent. An air-tight fan ensures that efficiency is not lost and contaminants are not spilled due to leakage.

Features and Benefits

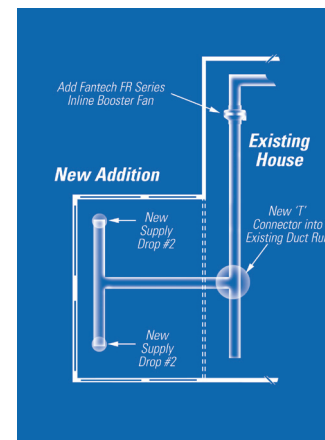
- 137 to 341 CFM
- 4" to 6" (102 to 152 mm) duct diameter
- Supplied with a mounting bracket for easy installation
- Approved for residential and commercial applications and for wet locations
- Suitable for airstream temperatures up to 140° F (60°C)
- Easy connection using external wiring box with waterproof gasket
- 100% speed controllable
- UL Listed
- 5 year warranty

Applications

Dual bath applications - commercial or residential




New addition



*The FR Series is not manufactured to operate with water running through the motor compartment, or to be used in applications where the fan would be buried underground. A UL-recognized waterproof conduit should be used for all outdoor applications to prevent moisture entry via knockout in wiring.

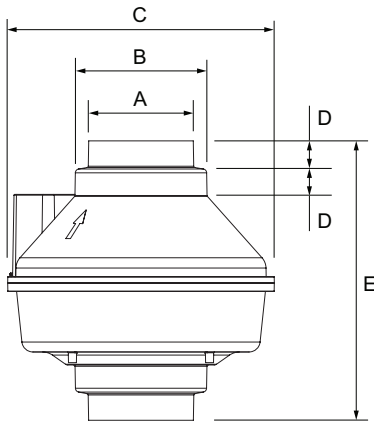
Specification Data

Model		Rated power	Voltage / phase	Max amps	0.0" P _s	0.2" P _s	0.4" P _s	0.6" P _s	0.8" P _s	1.0" P _s	1.5" P _s	Max P _s	Shipping weight	
		W	V / ~	A	cfm								in.wg	lbs
FR100	•	19	120/1	0.17	150	122	93	62	17	-	-	0.9	6	3
FR110		80	120/1	0.72	187	167	147	128	111	87	50	2.0	7	3
FR125	•	19	120/1	0.17	171	137	96	60	-	-	-	0.85	6	3
FR140		61	120/1	0.53	214	190	162	132	99	46	-	1.15	8	4
FR150	•	68	120/1	0.59	323	286	243	199	160	122	38	1.7	8	4
FR160		116	120/1	0.99	341	295	249	198	160	130	76	2.0	8	4

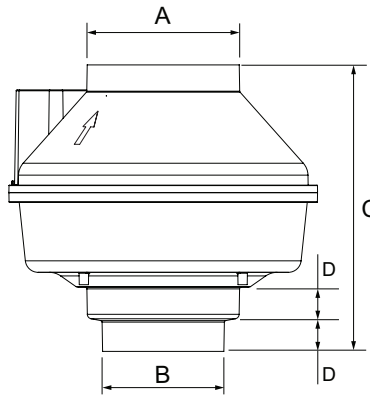
Performance shown is for installation type D - Ducted inlet, Ducted outlet. Performance is based on actual speed of test. Performance ratings do not include the effects of appurtenances in the airstream.

• This products earned the ENERGY STAR® by meeting strict efficiency guidelines.

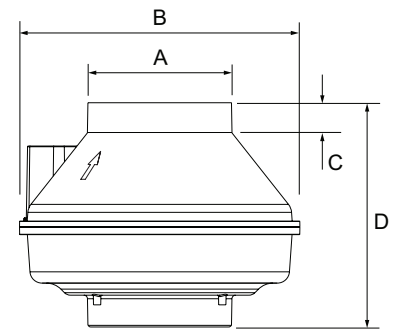
Dimensions



FR 100 / 110



FR 125



FR 140 / 150 / 160

Model	A	B	C	D	E
FR 100 / 110	3 31/32 (111)	4 31/32 (127)	10 (256)	1 (25)	10 9/16 (268)
FR 125	5 31/32 (152)	3 31/32 (101)	9 3/8 (238)	1 (25)	-

Model	A	B	C	D
FR 140 / 150	5 7/8 (149)	11 1/2 (295)	1 1/4 (32)	9 1/4 (234)
FR 160	5 7/8 (149)	11 1/2 (295)	1 1/4 (32)	9 1/4 (234)

All dimensions in inches (mm).

Accessories



FC
Mounting Clamps



FTD 7
7 Day Timer



FD 60EM
Electronic Timer



SCD
Speed Control



WC 15
Speed Control



FH 20
Dehumidistat

Customer Support:

Canada 800.565.3548 • CANADAsupport@fantech.net • www.fantech.net

Fantech reserves the right to modify, at any time and without notice, any or all of its products' features, designs, components and specifications to maintain their technological leadership position.