

STANDARD PRODUCT CHARACTERISTICS

Media	High lofted, ultra fine fiberglass or synthetic media with metal backing
Pleat Separators	Fire retardant, high impact polystyrene; 4 upstream and 4 downstream
Frame	26 gauge galvanized steel, two piece design
Cross Braces	Galvanized steel, 4 upstream and 4 downstream, attached to frame
Max. Temperature	180°F
Max. Humidity	100% relative humidity
Flammability	Classified per UL Standard 900
Height Tolerance	+0, -1/8"
Width Tolerance	+0, -1/8"
Depth Tolerance	±1/16"
Final Resistance	Recommended 1.5"w.g.

AVAILABLE PRODUCT OPTIONS

ASHRAE EFF.	MERV 10, 11, 13, 15
HEADER	Single header construction available
DEPTHS	Standard 12" and available in 6" deep options
GASKETING	Upstream, downstream, and side gasketing available

PRODUCT DIMENSIONAL DATA

Nominal Size (H"xW"xD")	Actual Size (H"xW"xD")	Number of Pleats		Media Area (sq.ft.)	
20 x 20 x 6	19-3/8 x 19-3/8 x 5-3/4	13 Box	12 Hdr	19 Box	17 Hdr
24 x 12 x 6	23-3/8 x 11-3/8 x 5-3/4	8 Box	7 Hdr	14 Box	12 Hdr
24 x 20 x 6	23-3/8 x 19-3/8 x 5-3/4	13 Box	12 Hdr	24 Box	21 Hdr
24 x 24 x 6	23-3/8 x 23-3/8 x 5-3/4	16 Box	15 Hdr	29 Box	26 Hdr
20 x 20 x 12	19-3/8 x 19-3/8 x 11-3/8	13 Box	12 Hdr	39 Box	34 Hdr
24 x 12 x 12	23-3/8 x 11-3/8 x 11-3/8	8 Box	7 Hdr	28 Box	24 Hdr
24 x 20 x 12	23-3/8 x 19-3/8 x 11-3/8	13 Box	12 Hdr	48 Box	43 Hdr
24 x 24 x 12	23-3/8 x 23-3/8 x 11-3/8	16 Box	15 Hdr	58 Box	52 Hdr

ASHRAE 52.2 PERFORMANCE DATA (24x24x12 @500 fpm)

Model	FG BOX M-10	FG BOX M-11	FG BOX M-13	FG BOX M-15
MERV	10	11	13	15
Initial Resistance ("w.g.)	0.37	0.39	0.71	0.91
Model	SYN BOX M-10	SYN BOX M-11	SYN BOX M-13	SYN BOX M-15
MERV	10	11	13	15
Initial Resistance ("w.g.)	0.33	0.36	0.42	0.49

SPECIFICATION INFORMATION

Customer Information: _____

Item Number: _____

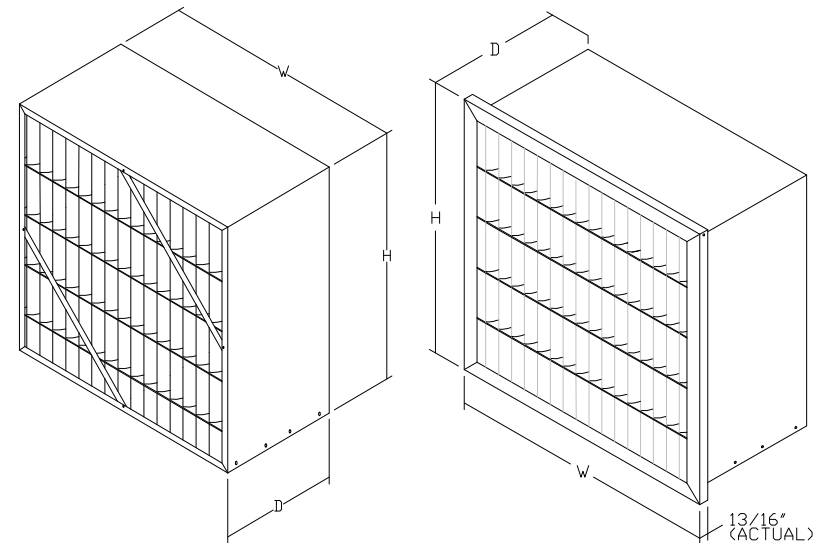
For Non-Standard Sizes, Please Consult the Factory.

_____ (H) X _____ (W) X _____ (D)

Please Specify Size as Nominal or Exact _____

SPECIFIED OPTIONS

Customer Initial and Date for Product Specification _____



AEROSTAR Rigid Cell Filters

Rev	BC	Date:	11/28/2017	Drawing Number:		Revision:	
FiltrationGroupIAQ.com				SD-Rigid Cell	06		