

# SUBMITTAL DATA



## 2000 Series Air Curtain Surface Mount Models



Conforms to:  
CAN CSA-C22.2 no.46-13  
& UL 2021(Ed.3): 2013

For indoor use: openings up to 9ft-10in [3m] height

<b>PROJECT:</b>			
<b>ENGINEER:</b>			
<b>CONTRACTOR:</b>			
<b>DISTRIBUTOR:</b>			
<b>SchwankAir MODEL #:</b>	<b>2045</b>	<b>2066</b>	<b>2087</b>
<b>Electric Heat</b>	<b>2045EH</b>	<b>2066EH</b>	<b>2087EH</b>
<b>Hot Water Heat</b>	<b>2045WH</b>	<b>2066WH</b>	<b>2087WH</b>
<b>APPROVED BY:</b>			
<b>DATE:</b>			
<b>APPROVAL #:</b>			

Schwank  
2 Schwank Way  
Waynesboro, Georgia,  
USA, 30830

5285 Bradco Boulevard,  
Mississauga, Ontario,  
L4W 2A6

Customer and Technical Services  
Phone: 1-877-446-3727  
Fax : 1-866-361-0523

e-mail: [csr@schwankgroup.com](mailto:csr@schwankgroup.com)

[www.schwankgroup.com](http://www.schwankgroup.com)

## Notice:

Schwank reserves the right to make changes to equipment and specifications due to revision in standards or to provide product improvement without obligation of notification.

This publication is intended to convey product specifications and information to engineering or other consultants to a particular project. For other reasons, this publication, or parts thereof, may not be reproduced in any form without prior written consent from Schwank. Unauthorized use or distribution of this publication is strictly prohibited.

## **SchwankAir 2000 Series Features / Components Summary:**

The SchwankAir 2000 Series air curtain is intended for indoor mounting at building doorways at a mounting height from 7 feet up to 9 feet-10 inches [3 m].

The 2000 Series air curtain is designed to provide quiet operation and energy savings by effectively separating indoor and outdoor environments, restricting entry of unconditioned air, dust, fumes, and insects. The 2000 Series air curtain can also be used at interior openings/doorways to isolate the environment in coolers and clean rooms.

- Available unit lengths: 45, 66, 87 inches (nominal); [1137, 1669, 2200 mm]
  - Detailed specifications by unit length ... next page
- Multiple units can be ganged together for wider openings
- Galvanized sheet steel construction with durable white finish (RAL 9010)
- Wall mount brackets included, or ready to suspend from structure
- Wired Remote Control included, with 20 ft [6 m] RJ control cable
- LED indicator status lights on wired-remote control for settings / performance
- Thermal protection cut-outs; reset from wired-remote control
- Control up to 8 air curtain units with one wired-remote control
- 3-Speed fan motor control
- High efficiency electric elements for instant heat
- 9 electric heat output levels: Automatic or manually selectable
- Hot Water Heat version supplied with a motorized three port valve
- Optional fan motor voltages: 208 - 240 Vac / single phase / 60 hZ
- Optional electric heater voltages: 460 - 600 Vac / 3 phase / 60 hZ
- Optional Accessories, Functions, Features:
  - Door switch: regulate fan speed and heat output
  - Outdoor thermostat (field supplied): add basic weather compensation
  - Modbus module & software: control plug-in for BMS control and monitoring
    - 7 Day timer and programming
  - EEPROM module: modulating heat and air flow

Tested and Certified by Labtest to:

- CAN/CSA C22.2 no. 46-13
- UL 2021(Ed.3): 2013



## Project Quantity(s) & Electrical Specifications:

Project Qty	Air Curtain Model	Electrical Supply (V/ph/Hz)	Rated Electrical Power Input (kW)	Rated Current per phase (amps)	Heat Output [Low/High] (kW)	Unit Weight lb [kg]
	<b>2045</b>	208...240/1/60	0.12	0.5	–	33 [15]
	<b>2066</b>	208...240/1/60	0.16	0.7	–	46 [21]
	<b>2087</b>	208...240/1/60	0.23	1.0	–	68 [31]
	<b>2045WH</b>	208...240/1/60	0.12	0.5	3.0 / 6.0	39 [18]
	<b>2066WH</b>	208...240/1/60	0.16	0.7	4.5 / 9.0	57 [26]
	<b>2087WH</b>	208...240/1/60	0.23	1.0	6.0 / 12.0	82 [37]
	<b>2045EH (208V)</b>	208/3/60	8.8	24.5	4.3 / 8.6	35 [16]
	<b>2066EH (208V)</b>	208/3/60	11.7	32.7	5.8 / 11.5	51 [23]
	<b>2087EH (208V)</b>	208/3/60	17.5	49.0 **	8.6 / 17.3	73 [33]
	<b>2045EH (480V)</b>	480/3/60 * + 208...240/1/60	9 0.12	10.9 0.5	4.5 / 9.0	35 [16]
	<b>2066EH (480V)</b>	480/3/60 * + 208...240/1/60	12 0.16	14.5 0.7	6.0 / 12.0	51 [23]
	<b>2087EH (480V)</b>	480/3/60 * + 208...240/1/60	18 0.23	21.7 1.0	9.0 / 18.0	73 [33]
	<b>2045EH (600V)</b>	600/3/60 * + 208...240/1/60	9 0.12	9.3 0.5	4.5 / 9.0	35 [16]
	<b>2066EH (600V)</b>	600/3/60 * + 208...240/1/60	12 0.16	12.8 0.7	6.0 / 12.0	51 [23]
	<b>2087EH (600V)</b>	600/3/60 * + 208...240/1/60	18 0.23	18.6 1.0	9.0 / 18.0	73 [33]

**NOTES:** \* Separate electrical supply for heaters [480 / 600V] and fan motors [208 / 240V]

\*\* Electric heater circuit current = 47.9 Amps

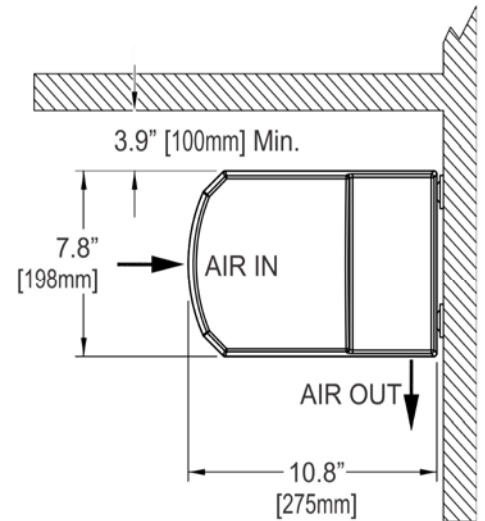
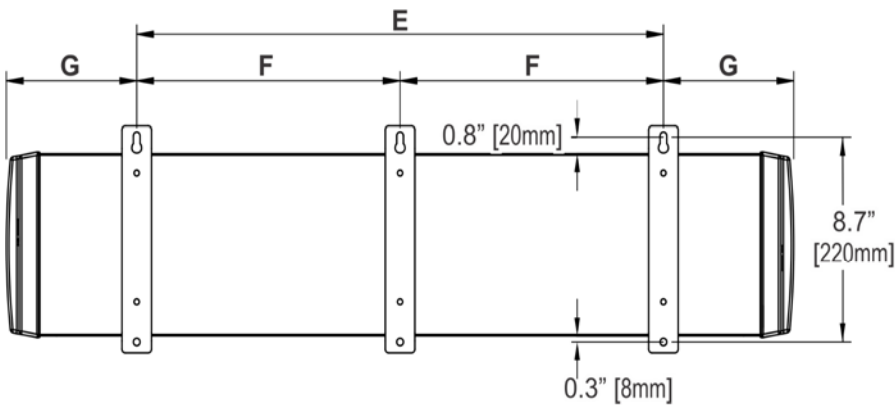
## Optional Accessories - Project Quantity(s):

Project Qty	Accessory	Description / Feature
	Door switch	Regulate fan speed and heat output
	Outdoor thermostat (field supplied)	Basic weather compensation
	Modbus module & software	BMS control & monitoring
	EEPROM module	Modulating heat and air flow

## 2000 Series Performance Specifications:

Fan Speed	Max. Air Velocity at Outlet Grille ft/min [m/s]		Maximum Mounting Height ft [m]		Sound Pressure Level dB(A) at 10ft [3m]			Air Volume Flow Rate cfm [m³/h]	
	208V	240V	208V	240V	Model	208V	240V	208V	240V
HIGH	1675 [8.5]	1770 [9.0]	8ft-6in [2.6]	9ft-10in [3.0]	2045	54	55	660 [1125]	740 [1250] 1060 [1800]
					2066	54	55	955 [1620]	
					2087	55	56	1325 [2250]	
MED.	-	-	-	-	2045	50	53	655 [1115]	670 [1140] 965 [1640]
					2066	50	53	940 [1600]	
					2087	51	54	1310 [2225]	
LOW	-	-	-	-	2045	45	50	575 [975]	605 [1025] 870 [1475] 1205 [2050]
					2066	45	49	825 [1405]	
					2087	46	50	1150 [1950]	

## 2000 Series Surface Mount Air Curtain Dimensions



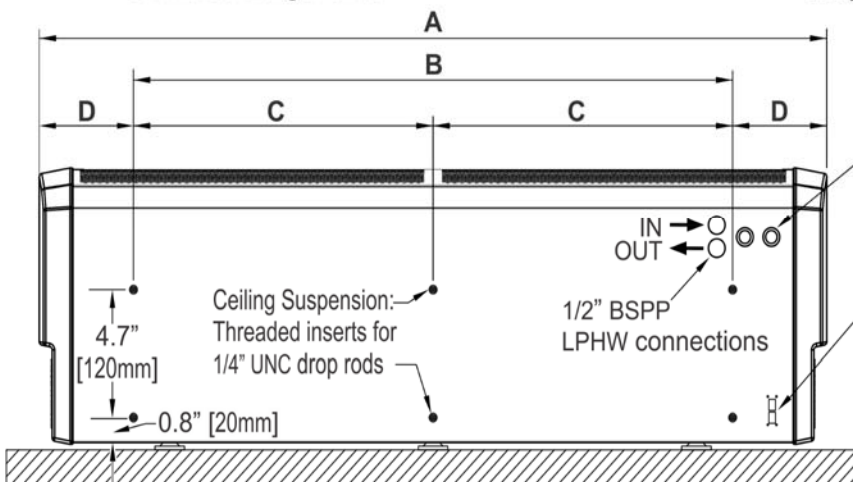
Ceiling Suspension:

**Use ALL drop rod holes:**

Four holes: 44.8" [1137mm] unit

Six holes: Longer units

Electrical supply & control wiring entry points



### Project Model Quantities and Dimensions:

Table Values: Inches [mm]

	2045x	2066x	2087x
A	44.8 [1137]	65.7 [1669]	86.6 [2200]
B	35.8 [908]	55.4 [1408]	75.9 [1928]
C	-	27.7 [704]	38.0 [964]
D	4.5 [115]	5.2 [131]	5.4 [136]
E	28.0 [710]	47.6 [1208]	68.8 [1748]
F	-	23.8 [604]	34.4 [874]
G	8.4 [214]	9.1 [231]	8.9 [226]